

Slimline or Modline Tank Order

End customer name _____ Date _____ PO number _____

Delivery address _____ Contact number _____

Special instructions _____

Tank Shape: (select one) Slimline <input type="checkbox"/> Modline <input type="checkbox"/>	Width	Length (not required for Round or Square tanks)	Height	Tank colour (refer to website)
---	--------------	--	---------------	--

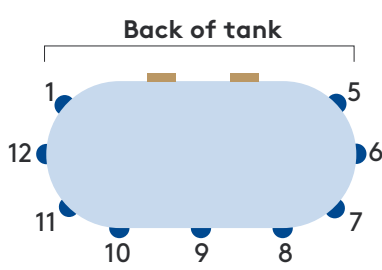
Select your fittings

Please circle or select from the drop-down box to select your fitting locations

Outlet 1 x 25mm outlet with ball valve
Located low on side wall of tank

Select location

Back of tank

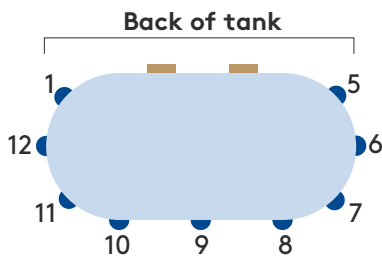


Fire fitting May be a requirement in bushfire zones

Select location

NSW Storz fire fitting
VIC CFA fire fitting
QLD Camlock fire fitting
I don't require a fire fitting

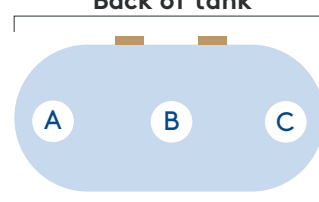
Back of tank



Inlet 1 x 400mm inlet strainers with light guards
Located in lid of tank

Select location

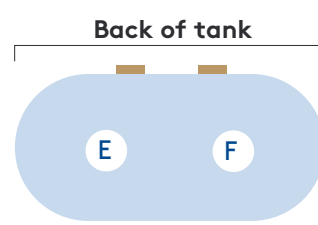
Back of tank



Pumps Do you need a pump? Yes No

Select location Evo MkIII Pump (Submersible)

Back of tank



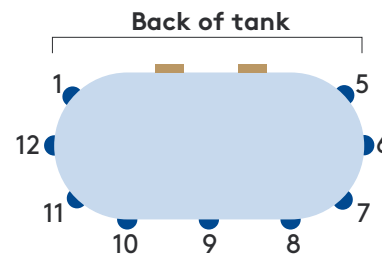
Overflow 100mm
Located high up on side wall of tank

OR

High-flow 100mm
Select position 6 or 12
[Click here to learn more about High-flow](#)

Select location

Back of tank



Select location

External pump Pump cover
(Pump cover is required for an external pump and will be the same colour as the tank)

Other - We will contact you to discuss further