

FRONT ELEVATION

EVOLUTION AND HIGH-FLOW ROUGH-IN – ROUND TANK

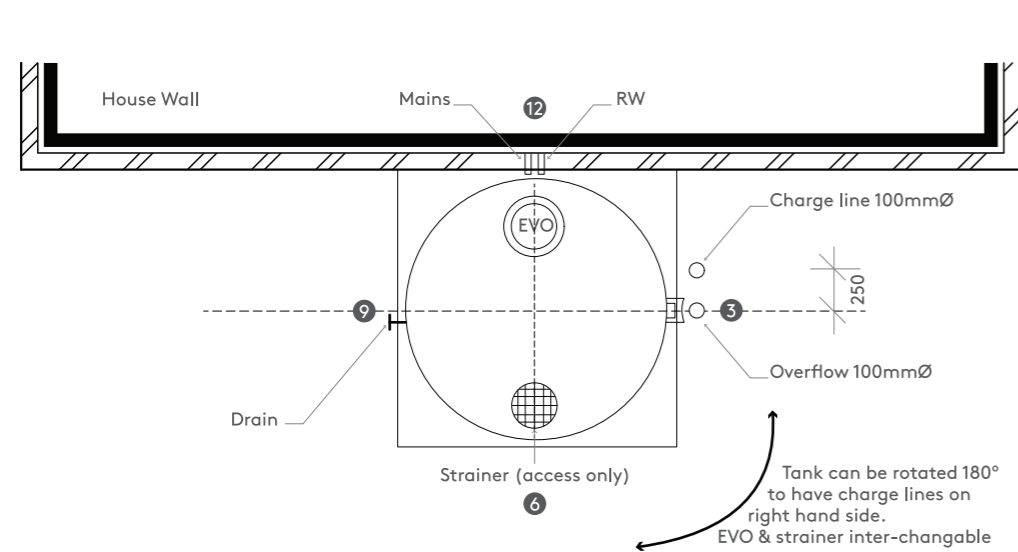
Default location for stormwater pipework is on the right hand side of tank (looking at wall).

Tank can be rotated 180° to have charge lines and Highflow on either side of tank slab.

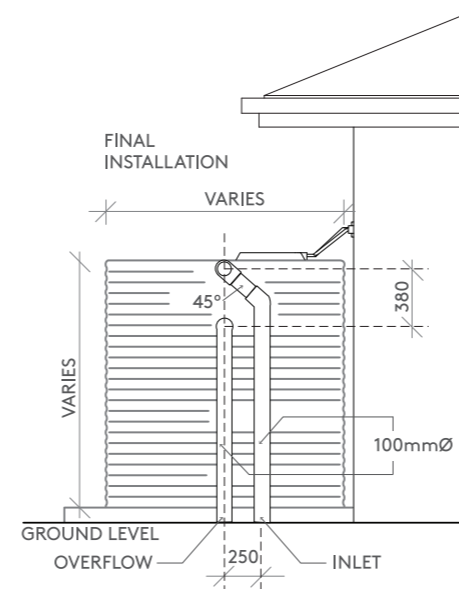
EVO MKIII Pump and strainer is interchangeable.

All dimensions measured to circles and are dimensions to centre.

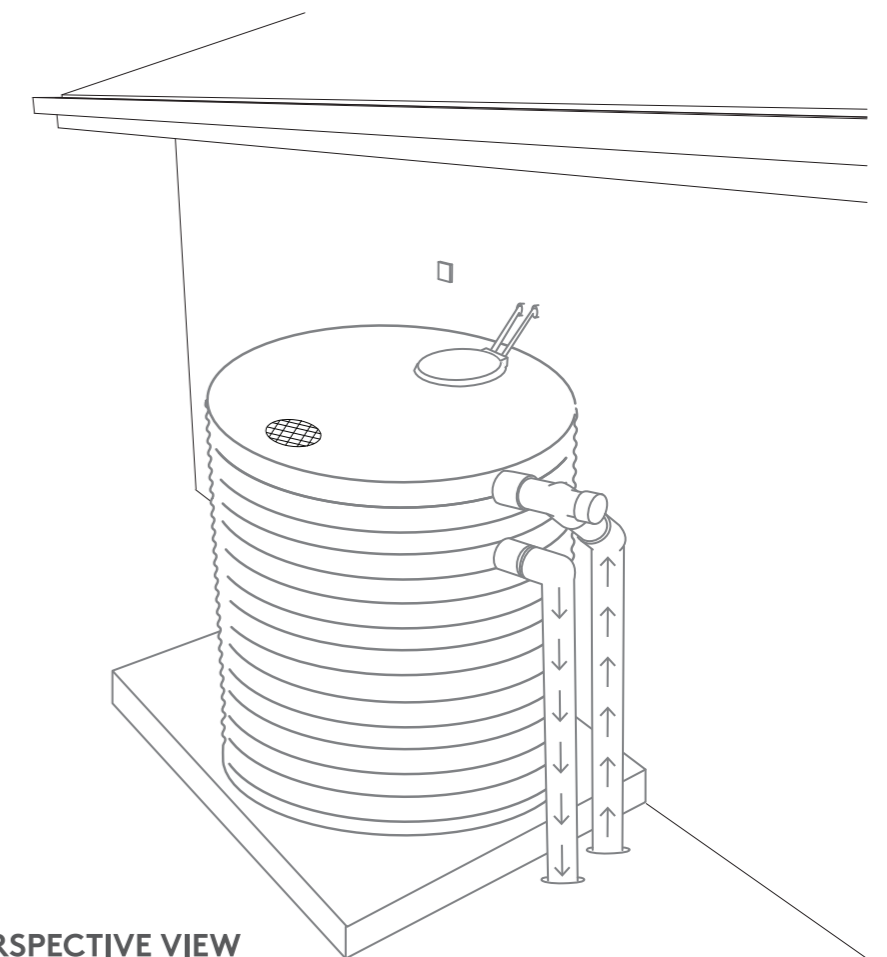
An outlet must be provided with each inlet pipe.



PLAIN VIEW TYPICAL



SIDE ELEVATION TYPICAL



PERSPECTIVE VIEW

Our Locations

SYDNEY
3 Herbert Place
Smithfield NSW 2164

Deniliquin Warehouse/Depot
Lot 2 Wakool Road
Deniliquin NSW 2710

MELBOURNE
860 Cooper Street
Somerton VIC 3062

BRISBANE
93 Magnesium Drive
Crestmead QLD 4132

PERTH
14 Ballantyne Road
Kewdale WA 6106

1300 736 562
kingspan.com.au/water
sales.au@kingspan.com

